

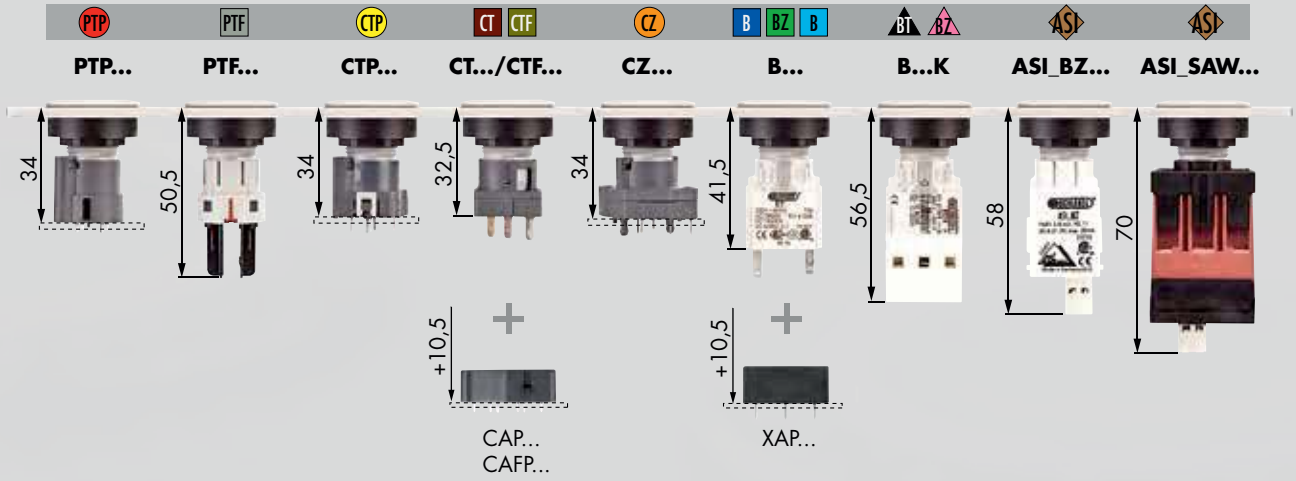


Front dimensions: \varnothing 28 mm
Panel cut-out: \varnothing 22.3 mm
Front bezel height: 2 mm
Travel: 3 mm

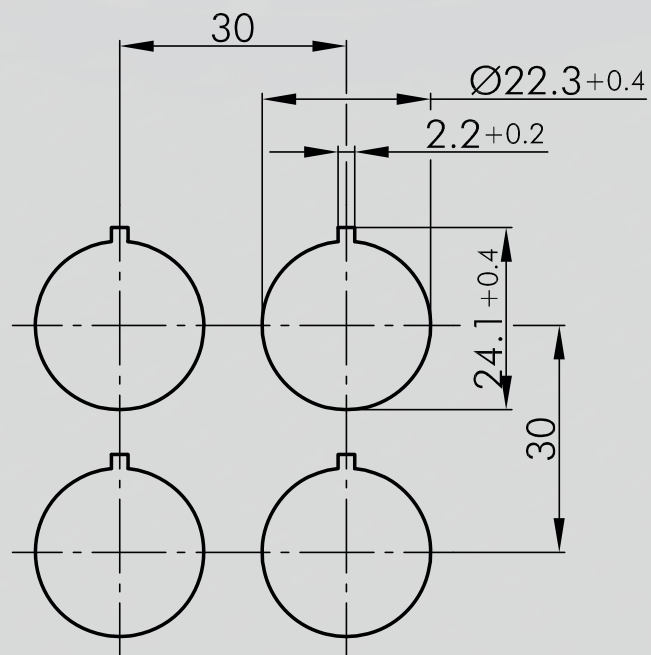


FRONTIRON-RJ Exclusive

Mounting Depth Dimensions



Cutout Dimensions



Pushbutton Heads (momentary/push-push)

other decors on request

Illustration	Dimensions	Description	Type
		<p>Pushbutton Head with ring illumination and burl wood decor incl. push-cap</p> <p>suitable contact blocks </p> <p>front bezel burl wood decor</p>	RRJTLRE01
		<p>Pushbutton Head with ring illumination and carbon decor incl. push-cap</p> <p>suitable contact blocks </p> <p>front bezel carbon decor</p>	RRJTLRE02
		<p>Pushbutton head with ring illumination, white coated incl. lens</p> <p>suitable contact blocks </p> <p>front bezel white</p>	RRJTLRWS